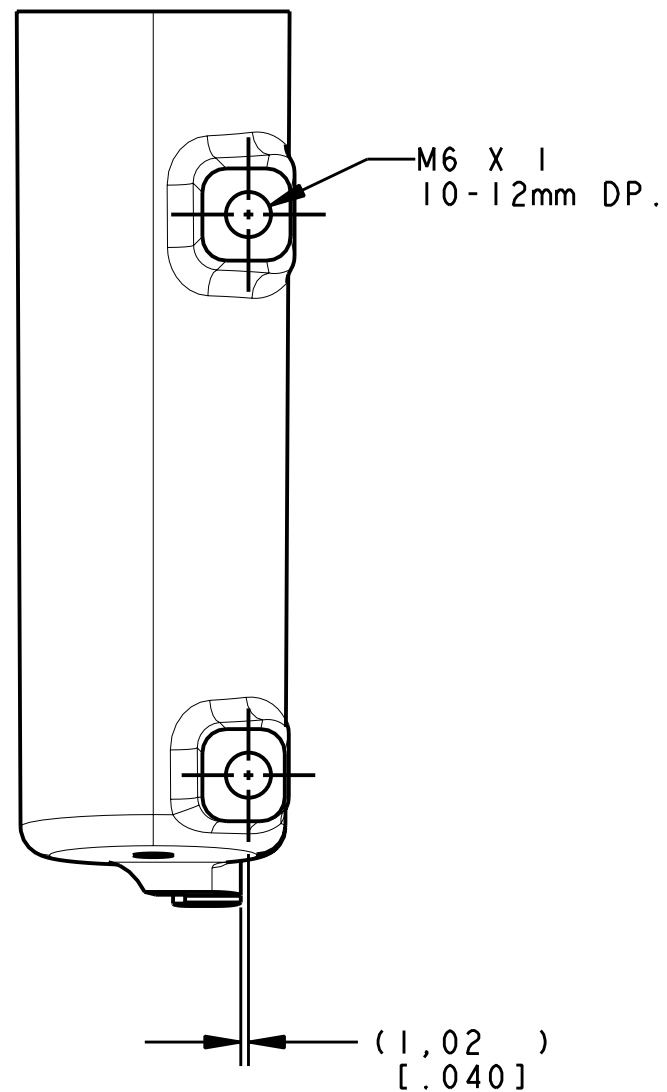
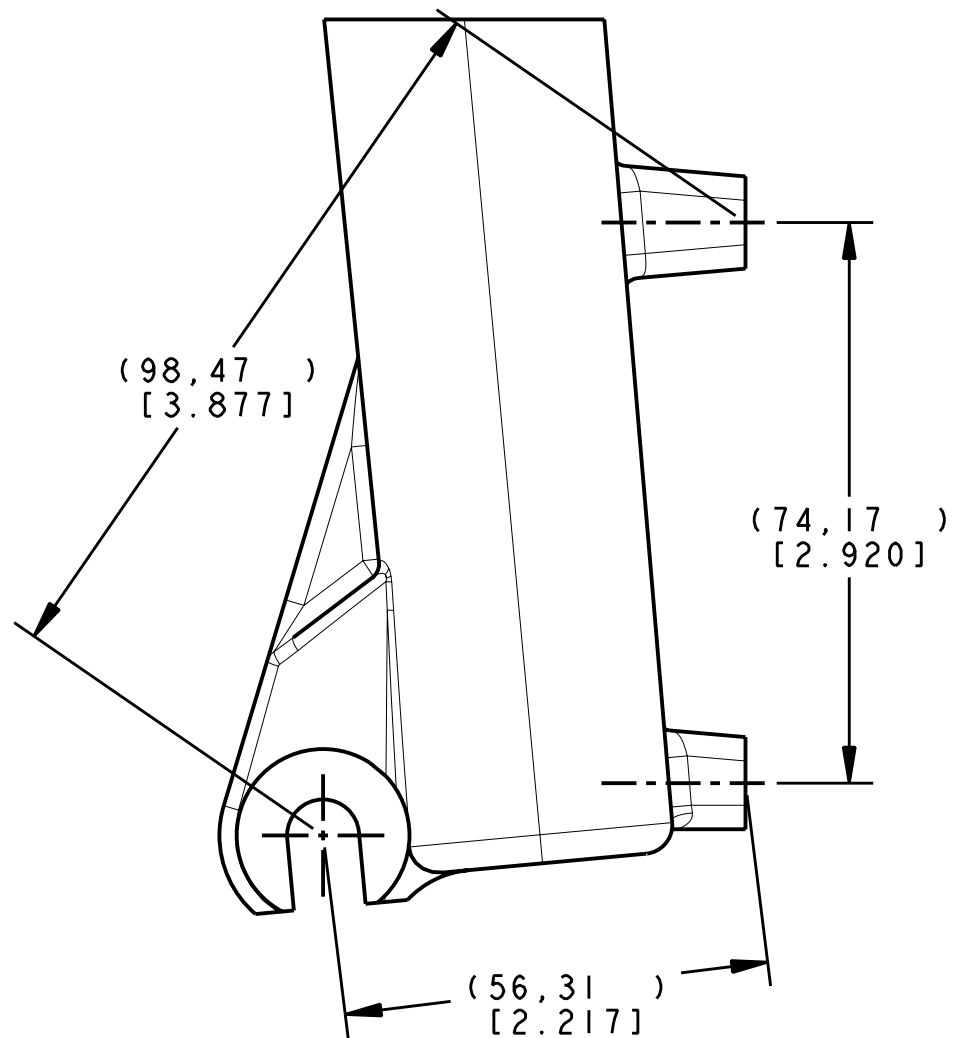


LTR	ZONE	REVISION	DATE	ECN	DRN
-	-	-	-	-	-



UNLESS OTHERWISE SPECIFIED:
BREAK ALL CORNERS & REMOVE
ALL BURRS .005/.015 RADIUS
OR CHAMFER.
MACHINED SURFACE FINISH TO
BE 125.

PRO-ENGINEER	SPEC No.
T TRACEABILITY	
CHARACTER CLASSIFICATION	
CRITICAL	
MAJOR	
MINOR	45-009
INCIDENTAL	89-008

SPECIFICATIONS
CLASSIFICATIONS OF CHARACTERISTICS
CLEANLINESS REQUIREMENTS

Section 4.1.7 Residual Magnetism	X
Section 4.1.6 Smut	X
Section 4.1.5 Water	X
Section 4.1.4 White Corrosion	X
Section 4.1.3 Red Rust	X
Section 4.1.2 Oils & Greases	X
Section 4.1.1 Chips, Dirt, Dust, Cardboard, & other Foreign Matl.	X
CATEGORY	CLASS
SPEC 89-008	

All of the Information shown herein is the exclusive property of Hayes Brake, LLC and is submitted only on a confidential basis. The recipient agrees that no disclosure of this information will be made to a third party without written consent of Hayes Brake, LLC.

PLAIN NO.:	
DRN	CSJ
SCALE	1.000
DATE	05/02/05
SIZE	B

HAYES DISC BRAKE, LLC
5800 W. Donges Bay Rd.
Mequon, WI 53092-4429
Tel (262)242-4300 Fax (262)512-4219

STANDARD 100mm QR AXLE	
DWG NO.	E-10722-1
REV	1
REL LEVEL	REFERENCE SHEET 1 OF 1