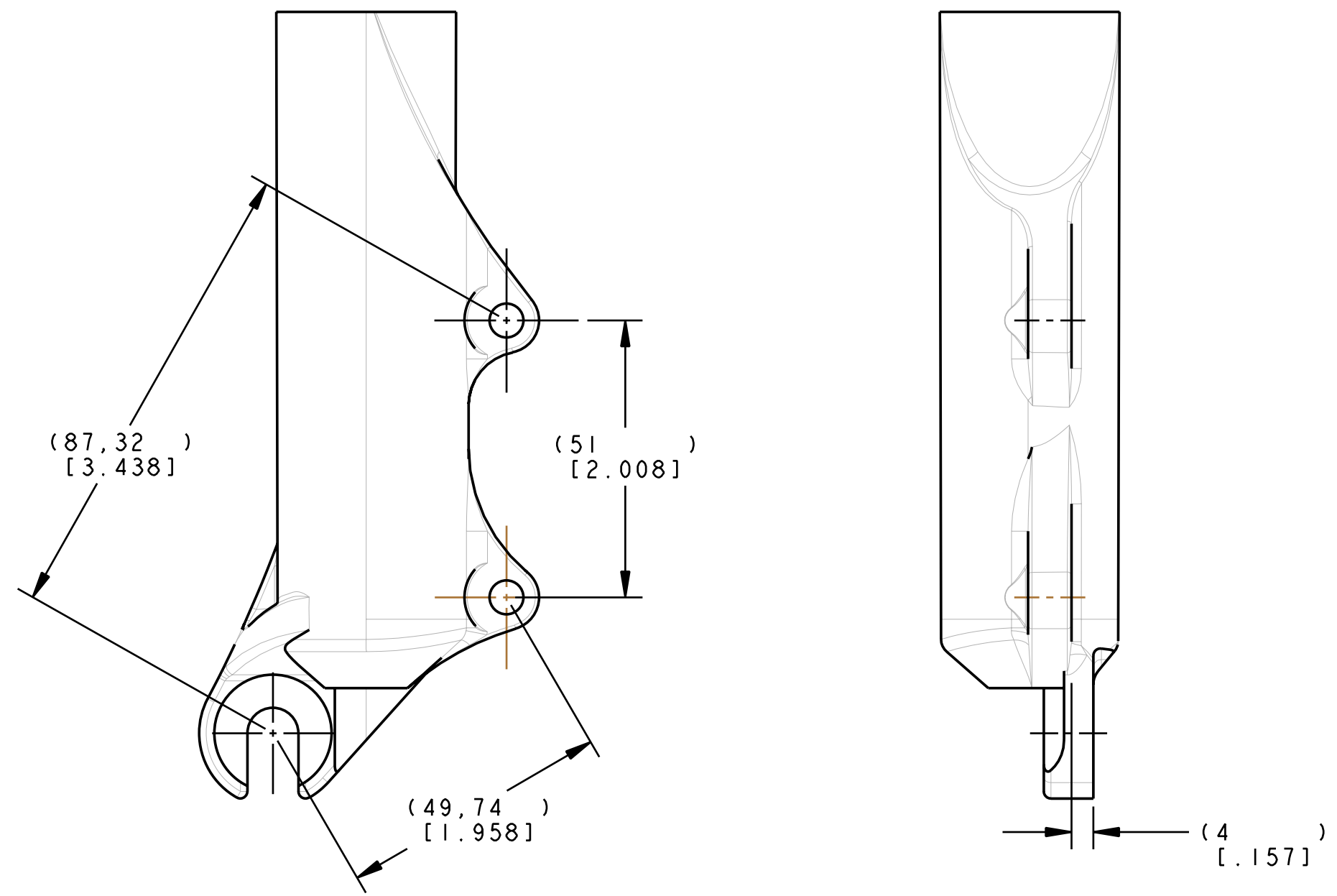


LTR	ZONE	REVISION	DATE	ECN	DRN
-	-	-	-	-	-



UNLESS OTHERWISE SPECIFIED:
 BREAK ALL CORNERS & REMOVE
 ALL BURRS .005/.015 RADIUS
 OR CHAMFER.
 MACHINED SURFACE FINISH TO
 BE 125.

PRO-ENGINEER	SPEC No.
T TRACEABILITY	
CHARACTER CLASSIFICATION	
CRITICAL	
MAJOR	
MINOR	45-009
INCIDENTAL	89-008

SPECIFICATIONS	
CLASSIFICATIONS OF CHARACTERISTICS	
CLEANLINESS REQUIREMENTS	

Section 4.1.7 Residual Magnetism	X
Section 4.1.6 Smut	X
Section 4.1.5 Water	X
Section 4.1.4 White Corrosion	X
Section 4.1.3 Red Rust	X
Section 4.1.2 Oils & Greases	X
Section 4.1.1 Chips, Dirt, Dust, Cardboard, & other Foreign Matter.	X
CATEGORY	CLASS
SPEC 89-008	

All of the Information shown herein is the exclusive property of Hayes Brake, LLC and is submitted only on a confidential basis. The recipient agrees that no disclosure of this information will be made to a third party without written consent of Hayes Brake, LLC.

DO NOT SCALE DRAWING

PLAIN NO.:
 DRN CSJ 05/03/05
 SCALE 1.000 SIZE B

HAYES DISC BRAKE, LLC 5800 W. Donges Bay Rd. Mequon, WI 53092-4429 Tel (262)242-4300 Fax (262)512-4219	FORK, STD 110 QR I.S.	
	DWG NO. E-10722-2	REV
REL LEVEL	SHEET 1	OF 1