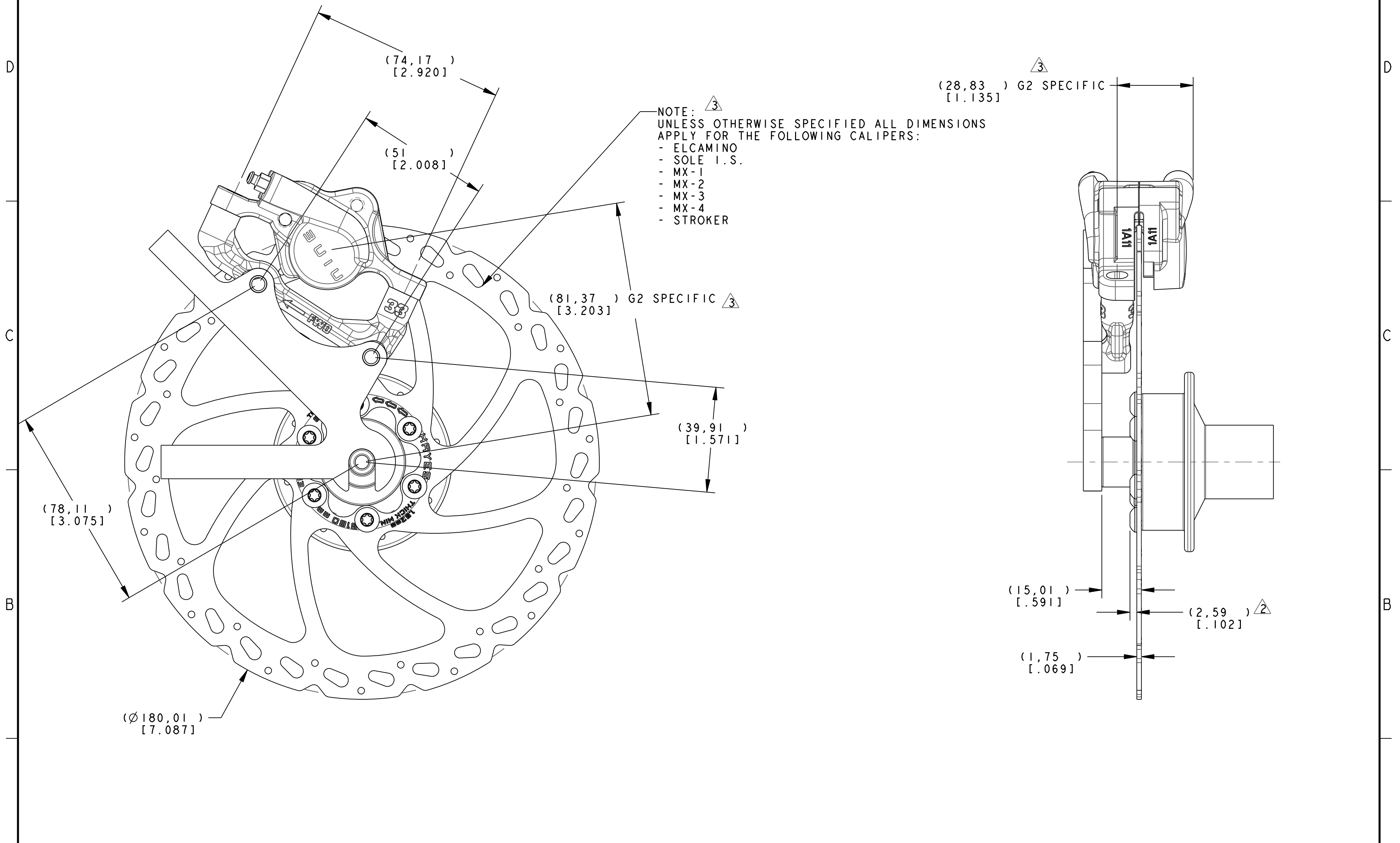


LTR	ZONE	REVISION	DATE	ECN	DRN
1	-	RELEASED CUSTOMER DRAWING	08/03/05	-	GM
2	-	ADDED 2.59	08/23/05	-	GM
3	D3	ADDED NOTE; ADDED TEXT "G2 SPECIFIC"	10/04/05	-	GM



UNLESS OTHERWISE SPECIFIED: BREAK ALL CORNERS & REMOVE ALL BURRS .137/.38 [.005/.015] RADIUS OR CHAMFER. MACHINED SURFACE FINISH TO BE 3.2 [.126].	PRO-ENGINEER	SPEC NO.	SPECIFICATIONS	X All of the information shown herein is the exclusive property of HB Performance Systems Inc. and is sub- mitted only on a confidential basis. The recipient agrees that no dis- closure of this information will be made to a third party without written consent of HB Performance Systems Inc.		
	SPECS 45-009 CLASSIFICATIONS OF CHARACTERISTICS					CLASSIFICATIONS OF CHARACTERISTICS CLEANLINESS REQUIREMENTS
	●	CRITICAL	45-009 89-008			
	●	MAJOR				
	○	MINOR				
○	INCIDENTAL					
SCALE 1.000 SIZE C REL LEVEL Prototype SHEET 1 OF 1				DWG NO. 98-18646 REV 3	5800 W. Donges Bay Rd. Mequon, WI 53092-4429 Tel: 12621242-4300 Fax: 12621512-4219	