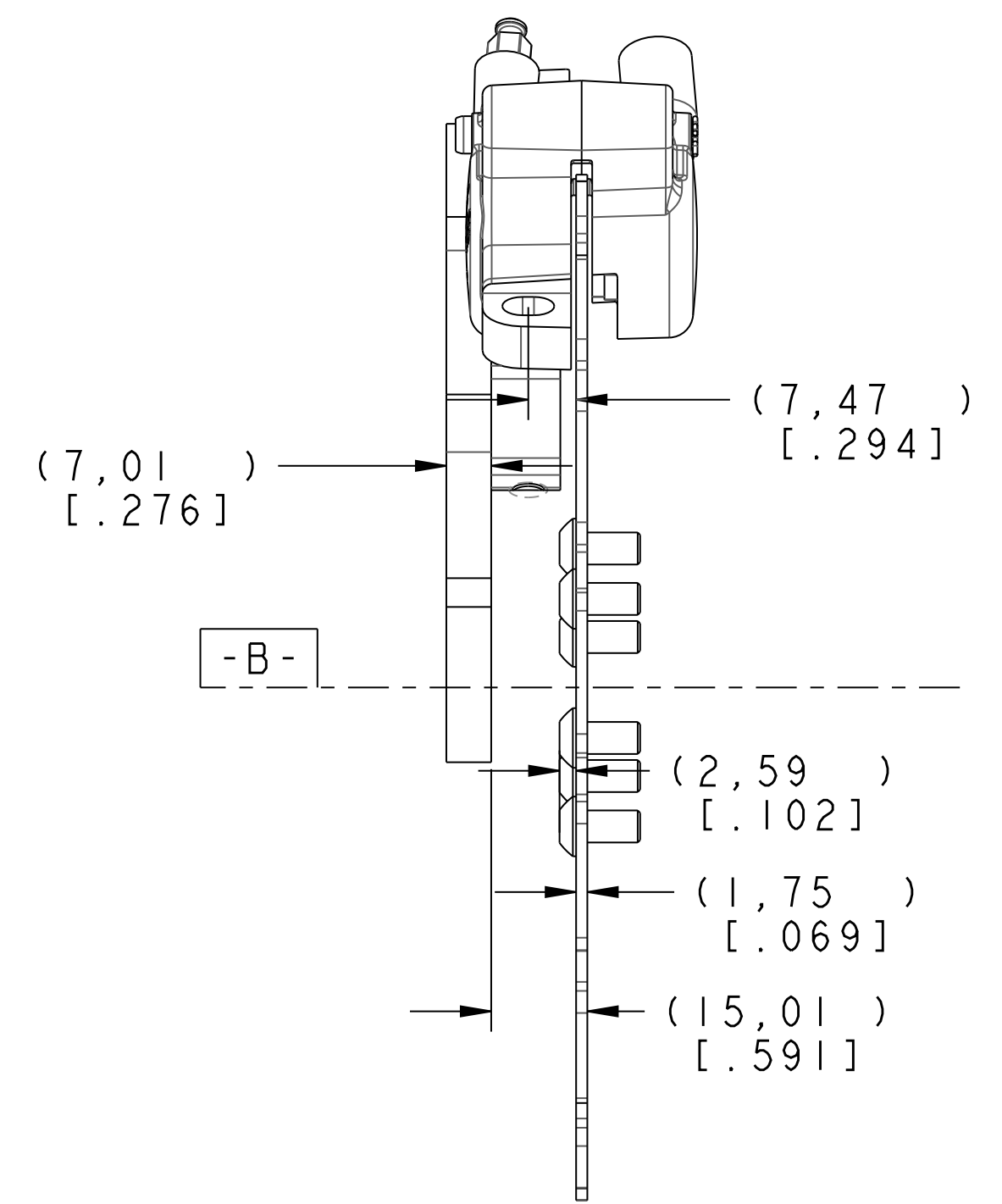
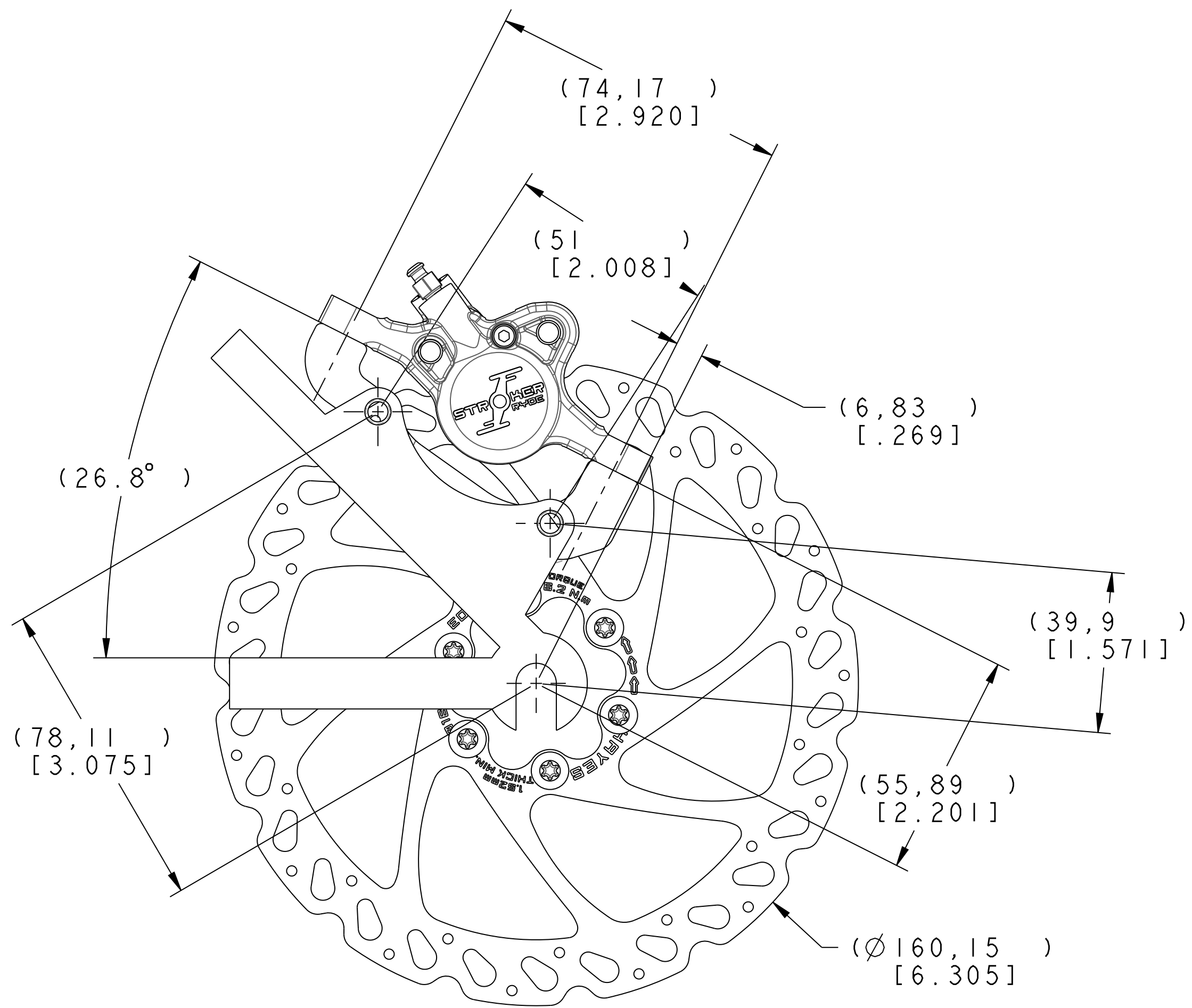


LTR	ZONE	REVISION	DATE	ECN	DRN
-	-	CREATED	8/27/04	-	DJC



UNLESS OTHERWISE SPECIFIED: BREAK ALL CORNERS & REMOVE ALL BURRS .137/.38 [1.0057/.015] RADIUS OR CHAMFER. MACHINED SURFACE FINISH TO BE 3.2 [126].	PRO-ENGINEER	SPEC No.	SPECIFICATIONS
	(T) TRACEABILITY		
	CHARACTER CLASSIFICATION		
	(●) CRITICAL		
	(●) MAJOR	45-009	CLASSIFICATIONS OF CHARACTERISTICS
	(○) MINOR	89-008	CLEANLINESS REQUIREMENTS
(○) INCIDENTAL			

Section 4.1.7 Residual Magnetism	X	All of the information shown herein is the exclusive property of HB Performance Systems Inc. and is submitted only on a confidential basis. The recipient agrees that no disclosure of this information will be made to a third party without written consent of HB Performance Systems Inc.
Section 4.1.6 Smut	X	
Section 4.1.5 Water	X	
Section 4.1.4 White Corrosion	X	
Section 4.1.3 Red Rust	X	
Section 4.1.2 Oils & Greases	X	
Section 4.1.1 Chips, Dirt, Dust, Cardboard & other Foreign Matl.	X	
CATEGORY	CLASS	
SPEC 89-008		

HB PERFORMANCE BICYCLE GROUP

**INSTALLATION DRAWING
REAR, 6.305 DISC**

DWG NO.	98-17886	REV	1
REL LEVEL	Prototype	SHEET	1 OF 1

D
C
B
A

D
C
B
A

4
3
2
1

4
3
2
1

4
3
2
1

4
3
2
1