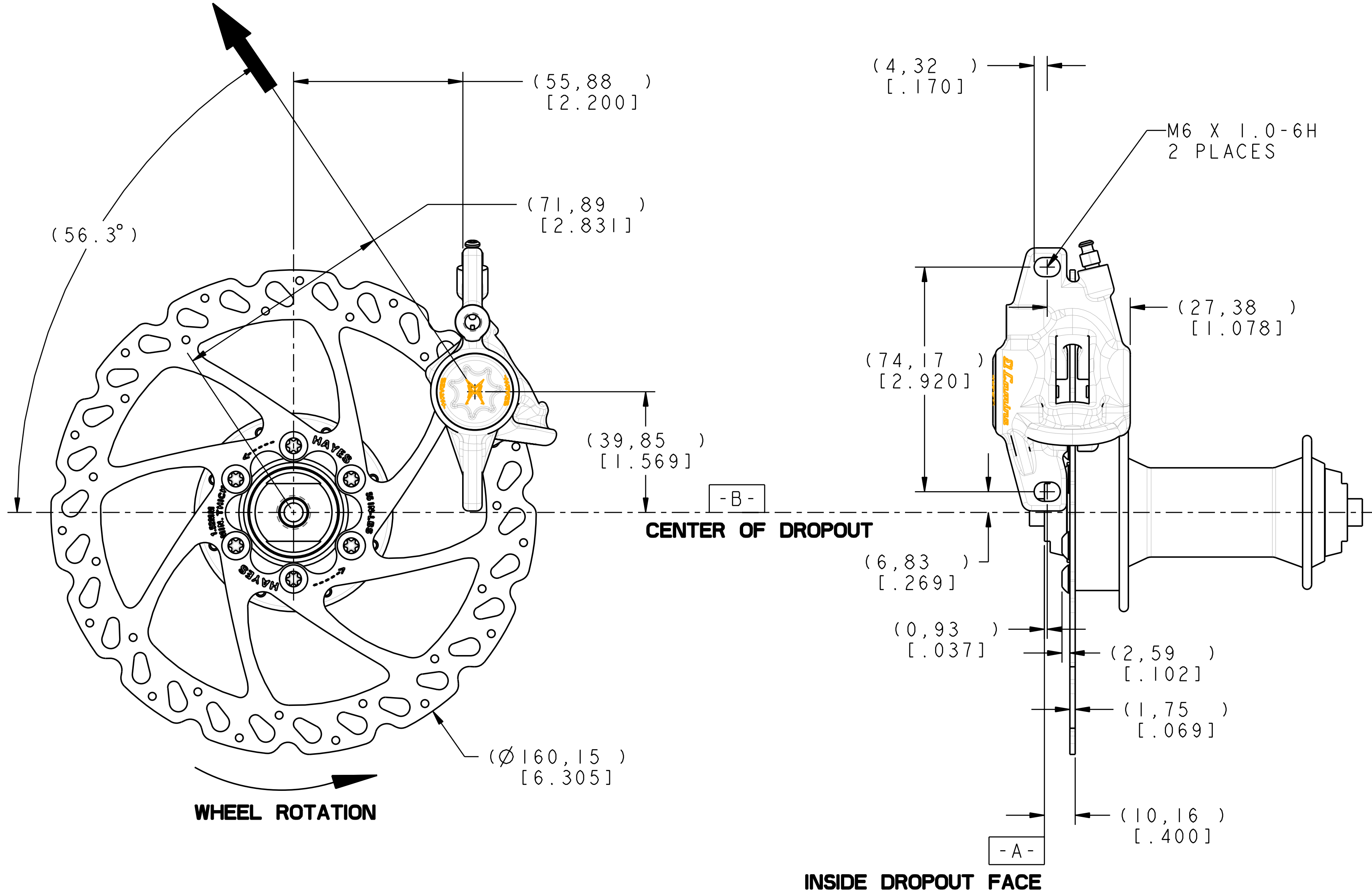


**MAXIMUM BRAKING LOAD FOUND IN HAYES TESTING 4413 NEWTONS (992 LBS. FORCE). MOUNT SHOULD BE CAPABLE OF HANDLING THIS LOAD WITH SOME SAFETY FACTOR.**

LTR	ZONE	REVISION	DATE	ECN	DRN
-	-	RELEASED FOR CUSTOMER USE	01-07-05	-	DJC



UNLESS OTHERWISE SPECIFIED: BREAK ALL CORNERS & REMOVE ALL BURRS .005/.015 RADIUS OR CHAMFER. MACHINED SURFACE FINISH TO BE 125.	PRO-ENGINEER	SPEC No.	SPECIFICATIONS	Section 4.1.7 Residual Magnetism	X	All of the information shown herein is the exclusive property of Hayes Brake, LLC and is submitted only on a confidential basis. The recipient agrees that no disclosure of this information will be made to a third party without written consent of Hayes Brake, LLC.	<b>HAYES DISC BRAKE, LLC</b> 5800 W. Donges Bay Rd. Mequon, WI 53092-4429 Tel (262)242-4300 Fax (262)512-4219	EL CAMINO INSTALLATION DRW			
	(T) TRACEABILITY			Section 4.1.6 Smut	X			FRONT, POST MNT, 160 DISC			
	CHARACTER CLASSIFICATION			Section 4.1.5 Water	X			DWG NO. 98-17094			
	(●) CRITICAL			Section 4.1.4 White Corrosion	X			REV -			
	(●) MAJOR			Section 4.1.3 Red Rust	X			REL LEVEL			
(○) MINOR	45-009	CLASSIFICATIONS OF CHARACTERISTICS	Section 4.1.2 Oils & Greases	X	PLAIN NO.:	06/30/04	ECN	SHEET	I	OF	I
(○) INCIDENTAL	89-008	CLEANLINESS REQUIREMENTS	Section 4.1.1 Chips, Dirt, Dust, Cardboard, & other Foreign Matl.	X	DRN	LWK	SCALE	1.000	SIZE	C	
			CATEGORY CLASS	SPEC 89-008							