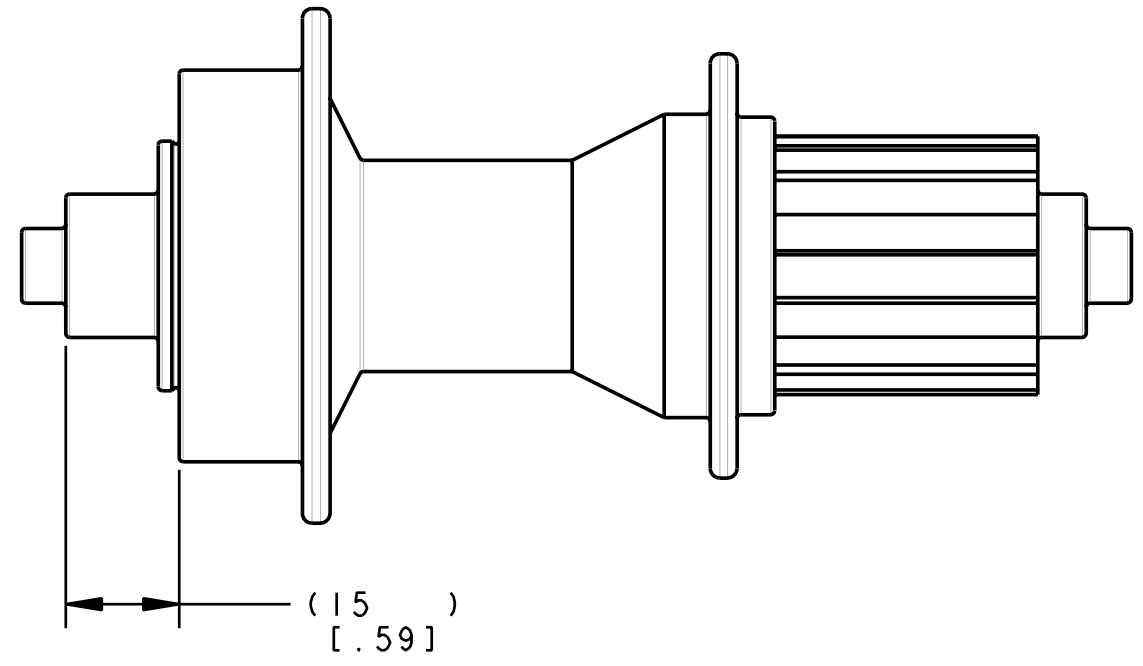
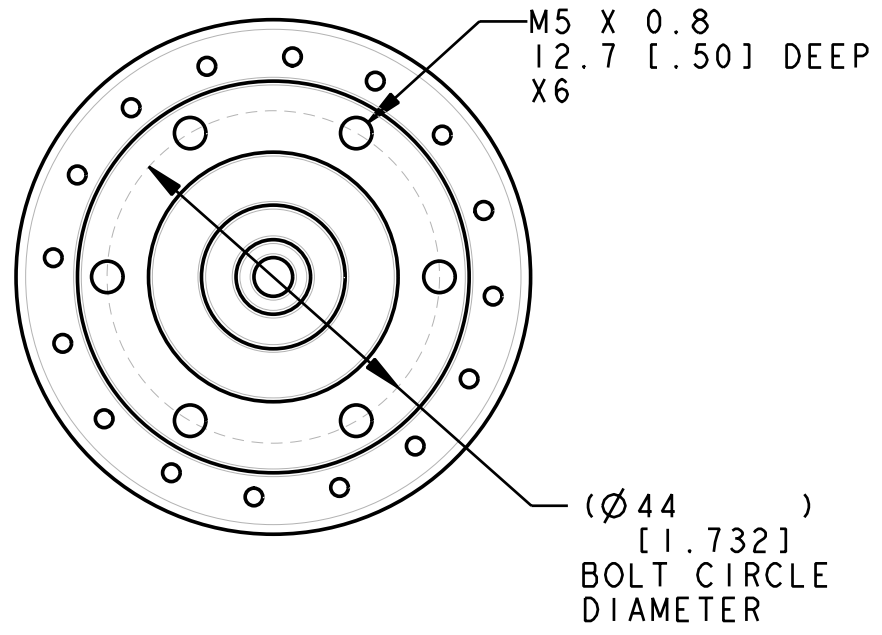


| LTR | ZONE | REVISION | DATE | ECN | DRN |
|-----|------|----------|------|-----|-----|
| - | - | - | - | - | - |



UNLESS OTHERWISE SPECIFIED:
 BREAK ALL CORNERS & REMOVE
 ALL BURRS .005/.015 RADIUS
 OR CHAMFER.
 MACHINED SURFACE FINISH TO
 BE 125.

| | |
|--------------------------|----------|
| PRO-ENGINEER | SPEC No. |
| T TRACEABILITY | |
| CHARACTER CLASSIFICATION | |
| CRITICAL | |
| MAJOR | |
| MINOR | 45-009 |
| INCIDENTAL | 89-008 |

| |
|------------------------------------|
| SPECIFICATIONS |
| CLASSIFICATIONS OF CHARACTERISTICS |
| CLEANLINESS REQUIREMENTS |

| | |
|--|-------|
| Section 4.1.7 Residual Magnetism | X |
| Section 4.1.6 Smut | X |
| Section 4.1.5 Water | X |
| Section 4.1.4 White Corrosion | X |
| Section 4.1.3 Red Rust | X |
| Section 4.1.2 Oils & Greases | X |
| Section 4.1.1 Chips, Dirt, Dust, Cardboard, & other Foreign Matter. | X |
| CATEGORY | CLASS |
| SPEC 89-008 | |

All of the Information shown herein is the exclusive property of Hayes Brake, LLC and is submitted only on a confidential basis. The recipient agrees that no disclosure of this information will be made to a third party without written consent of Hayes Brake, LLC.

DO NOT SCALE DRAWING

PLAIN NO.:
 DRN CSJ 05/03/05
 SCALE 1.000 SIZE B

HAYES DISC BRAKE, LLC
 5800 W. Donges Bay Rd.
 Mequon, WI 53092-4429
 Tel (262)242-4300 Fax (262)512-4219

HAYES

STANDARD QUICK RELEASE
 REAR HUB

DWG NO. E-10722-6 REV

REL LEVEL SHEET 1 OF 1