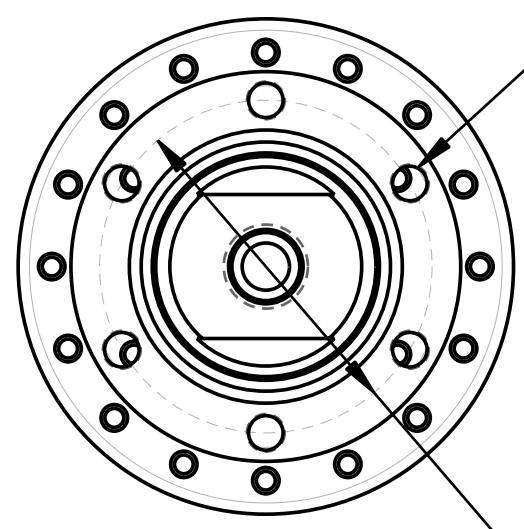
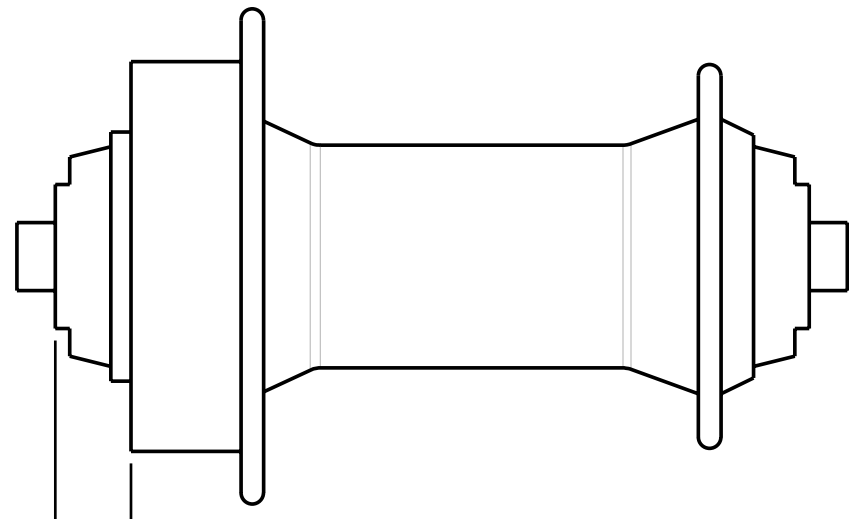


LTR	ZONE	REVISION	DATE	ECN	DRN
-	-	-	-	-	-



M5 X 0.8  
12.7 [.50] DEEP  
X6

(Ø44 )  
[1.732]  
BOLT CIRCLE  
DIAMETER



(10 )  
[.394]

UNLESS OTHERWISE SPECIFIED:  
BREAK ALL CORNERS & REMOVE  
ALL BURRS .005/.015 RADIUS  
OR CHAMFER.  
MACHINED SURFACE FINISH TO  
BE 125.

PRO-ENGINEER	SPEC No.
<b>T</b> TRACEABILITY	
CHARACTER CLASSIFICATION	
CRITICAL	
MAJOR	
MINOR	45-009
INCIDENTAL	89-008

SPECIFICATIONS	
Section 4.1.7 Residual Magnetism	X
Section 4.1.6 Smut	X
Section 4.1.5 Water	X
Section 4.1.4 White Corrosion	X
Section 4.1.3 Red Rust	X
Section 4.1.2 Oils & Greases	X
Section 4.1.1 Chips, Dirt, Dust, Cardboard, & other Foreign Matter.	X
CATEGORY	CLASS
SPEC 89-008	

All of the Information shown herein is the exclusive property of Hayes Brake, LLC and is submitted only on a confidential basis. The recipient agrees that no disclosure of this information will be made to a third party without written consent of Hayes Brake, LLC.	
<b>DO NOT SCALE DRAWING</b>	
PLAIN NO.:	
DRN	CSJ
SCALE	05/03/05
SIZE	B

<b>HAYES DISC BRAKE, LLC</b> 5800 W. Donges Bay Rd. Mequon, WI 53092-4429 Tel (262)242-4300 Fax (262)512-4219	
STANDARD QUICK RELEASE 10mm AXLE FRONT HUB	
DWG NO.	E-10722-7
REV	
REL LEVEL	SHEET 1 OF 1

REL LEVEL	SHEET 1 OF 1
-----------	--------------